

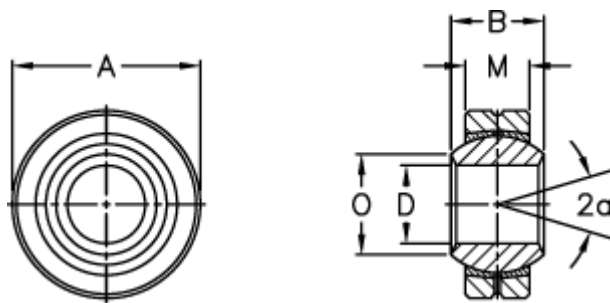
Data Sheet



Article number: 03400005

Description: Fluro Rod end GL 5

Measures



A	= 16	Static load C0 (kN) = 10
a (degrees)	= 13	Weight = 8
B	= 8	
D	= 5	
Dynamic load C (kN)	= 2.5	
M	= 6	
O	= 7.7	
Permissible rpm	= 900	